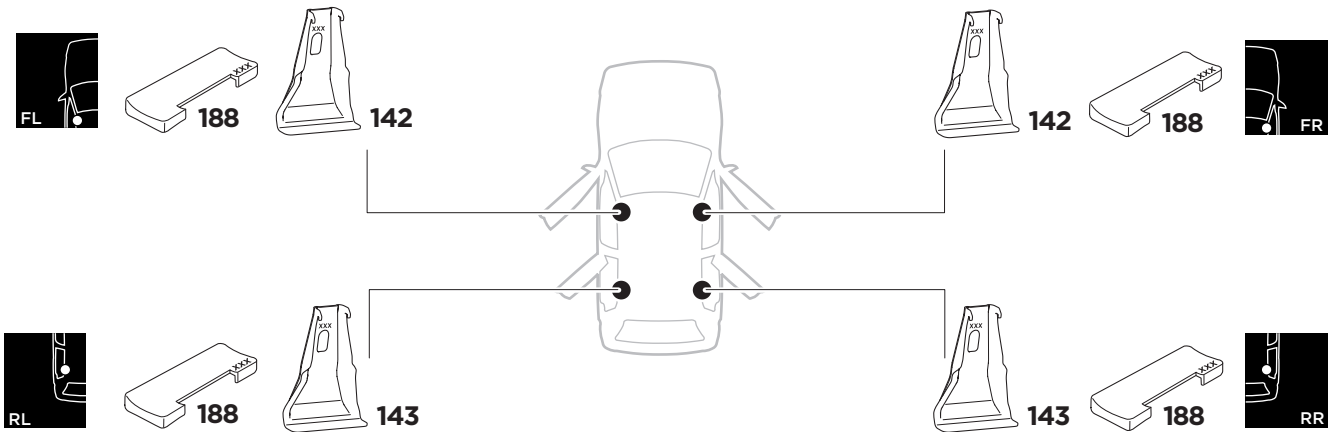
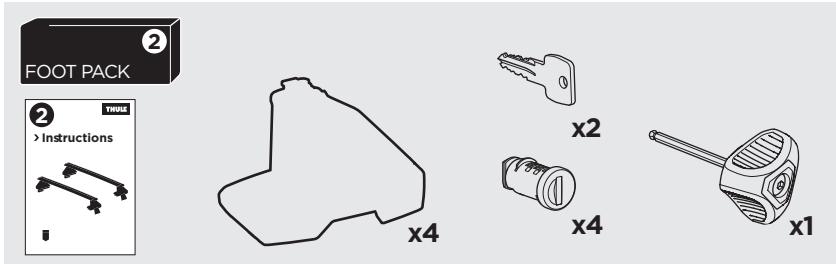
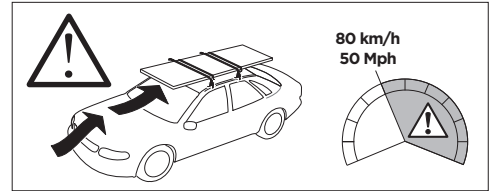
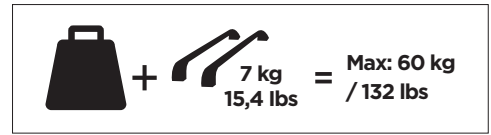
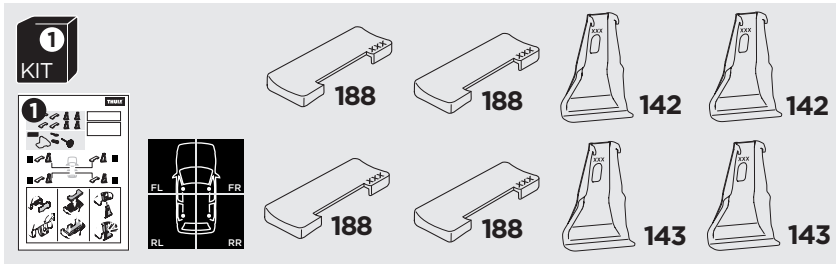


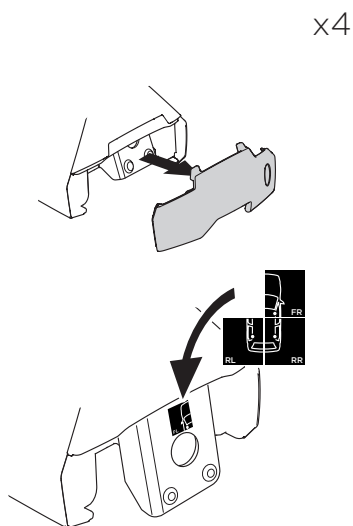
1

Kit 5045 CITROËN C3, 5-dr Hatchback, 17-

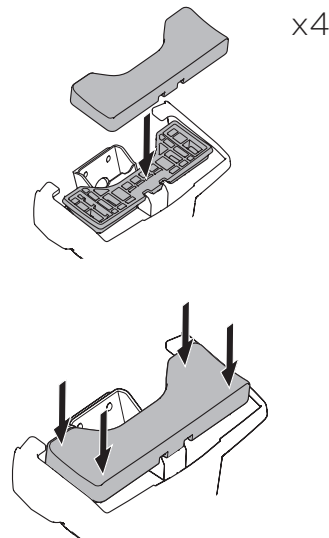
ISO 11154-E



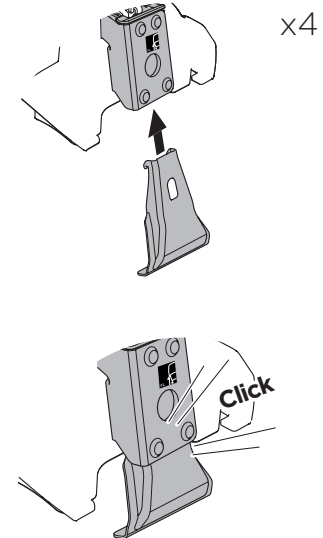
1 KIT + FOOT PACK 2



2

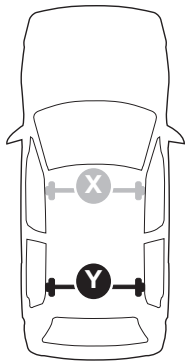


3





THULE WingBar Evo	THULE WingBar Edge	THULE WingBar	THULE SquareBar	Evo X (scale)	Edge X (scale)
CITROËN C3, 5-dr Hatchback, 17-				35	I
THULE ProBar	THULE SlideBar				X (mm/inch)
CITROËN C3, 5-dr Hatchback, 17-				1001 mm / 39 3/8"	



THULE WingBar Evo	THULE WingBar Edge	THULE WingBar	THULE SquareBar	Evo Y (scale)	Edge Y (scale)
CITROËN C3, 5-dr Hatchback, 17-				31	Q
THULE ProBar	THULE SlideBar				Y (mm/inch)
CITROËN C3, 5-dr Hatchback, 17-				961 mm / 37 7/8"	

	W (mm/inch)	Z (mm/inch)
CITROËN C3, 5-dr Hatchback, 17-	725 mm / 28 1/2"	260 mm / 10 1/4"

